

500mA, Low Dropout, Low Noise Ultra-Fast With Soft Start CMOS LDO Regulator

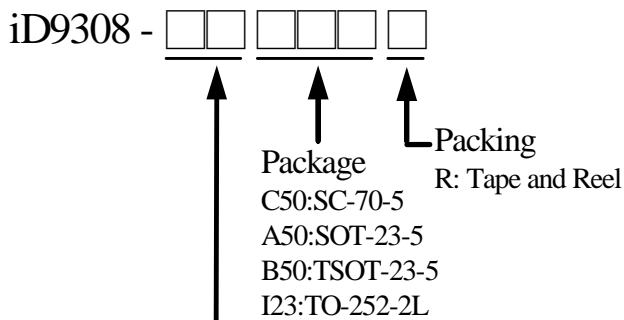
General Description

The iD9308 is a 500mA, low dropout and low noise linear regulator with high ripple rejection ratio. It has fixed output voltage ranging from 1.8V to 3.3V.

The iD9308 includes a reference voltage source, an error amplifier, driver transistors and an internal current limiter. It also incorporates current fold-back to reduce power dissipation when the output is short circuited.

The iD9308 works well with low ESR ceramic capacitors, suitable for portable RF and wireless battery-powered applications with stringent space requirements and demanding performance. It also offers ultra low noise output and has low quiescent current.

Ordering Information



Output Voltage	Voltage Code
1.8	18
2.5	25
2.7	27
2.8	28
3.0	30
3.1	31
3.3	33

Other voltage outputs may be available. For further details, please contact an iDesyn sales or distributor.

Features

- Ultra-Low-Noise Application
- Wide 2.5V to 6V Operating Range
- Stable with Low-ESR Output Capacitor.
- Six Fixed Voltage Options Available
- Internal Current Limiter
- Short Circuit Current Fold-back
- Thermal Shutdown Protection
- Low Dropout : 270mV @ 500mA
- High Ripple Rejection 70dB@1kHz
- Standby Current Less Than 0.1µA
- Auto Discharge

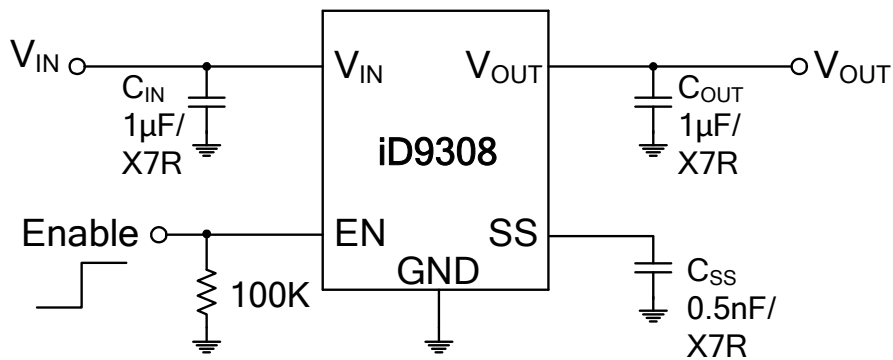
Applications

- Battery-Powered Equipment
- Portable Instruments
- Digital Camera
- WLAN Communication
- Hand-Held Instruments

Marking Information

For marking information, please contact our sales representative directly or through distributor around your location.

Typical Application Circuit



Absolute Maximum Ratings (Note 1)

Supply Voltage V_{IN}	6V
Power Dissipation, P_D @ $T_A=25^\circ\text{C}$	
SC-70-5	300mW
(T)SOT-23-5	400mW
TO-252-2L	1200mW
Thermal Resistance, θ_{JA}	
SC-70-5	333°C/W
(T)SOT-23-5	250°C/W
TO-252-2L	83.3°C/W
Lead Temperature	260°C
Storage Temperature	-65°C to 150°C
ESD Susceptibility	
HBM (Human Body Mode)	4kV
MM (Machine Mode)	300V

Recommended Operating Conditions

Input Voltage V_{IN}	2.5V to 6V
EN Input Voltage	0V to 6V
Junction Temperature	-40°C to 125°C
Ambient Operating Temperature	40°C to 85°C

Electrical Characteristics (Unless otherwise specified $V_{IN} = V_{OUT} + 1V$, $T_A = 25^\circ C$)

Parameters	Symbol	Condition	Min	Typ	Max	Units
Operating Voltage Range (Note 2)	V_{IN}				6	V
Standby Current	I_{SBY}	$V_{EN} = GND, Shutdown$		0.01	1	μA
Quiescent Current	I_Q			90		μA
Supply Current Limit (Note 3)	I_{LIMIT}	$V_{OUT} > 200mV$	800	1000	1200	mA
Short Circuit Current	I_{SC}	$V_{OUT} < 200mV$		110	200	mA
Dropout Voltage (Note 4)	V_{DROP}	$I_{OUT} = 500mA$	$V_{OUT} = 1.8V$	900	1200	mV
			$V_{OUT} = 2.5V$	390	500	mV
			$V_{OUT} = 2.7V$	320	420	mV
			$V_{OUT} = 2.8V$	300	380	mV
			$V_{OUT} = 3.0V$	280	350	mV
			$V_{OUT} = 3.1V$	275	340	mV
		$V_{OUT} = 3.3V$	270	330	mV	
EN input Bias Current	I_{IBSD}	$V_{EN} = GND$ or V_{IN}		0	100	nA
Line Regulation	ΔV_{LINE}	$V_{IN} = (V_{OUT} + 1V)$ to 5.5V, $I_{OUT} = 1mA$			10	mV/V
Load Regulation	ΔV_{LOAD}	$1mA < I_{OUT} < 500mA$		25	40	mV
Output Noise Voltage	eNO	10Hz to 100KHz $I_{OUT} = 200mA$ $C_{OUT} = 1\mu F$		100		μV_{RMS}
Thermal Shutdown Temperature	T_{SD}			165		$^\circ C$
Thermal Shutdown Temperature Hysteresis	ΔT_{SD}			30		$^\circ C$
Output Voltage Accuracy	ΔV_{OUT}	$I_{OUT} = 1mA$	-2		+2	%
Soft Start Time	T_{SS}	$C_{IN} = 1\mu F$, $C_{OUT} = 1\mu F$, $C_{SS} = NC$, $V_{OUT} = 3.3V$, $I_{OUT} = 0mA$, $T_{SS} = 0$ to $V_{OUT} \times 90\%$		9		μs
Fast Discharge N-MOSFET Turn On Resistance	$R_{DISCHARGE}$	$V_{IN} = 4V$, $V_{EN} = 0V$		35		Ω
EN Threshold	Logic-Low V	V_{IL}	$V_{IN} = 3V$ to 5.5V, Shutdown		0.4	V
	Logic-High V	V_{IH}	$V_{IN} = 3V$ to 5.5V, Start-up	1.2		V
Power Supply Rejection Rate	f = 100Hz	PSRR	$C_{OUT} = 1\mu F$, $I_{OUT} = 10mA$		-70	dB
	f = 10kHz				-55	

Note 1: Stresses listed as the above "Absolute Maximum Ratings" may cause permanent damage to the device. These are for stress ratings. Functional operation of the device at these or any other conditions beyond those indicated in the operational sections of the specifications is not implied. Exposure to absolute maximum rating conditions for extended periods may remain possibility to affect device reliability.

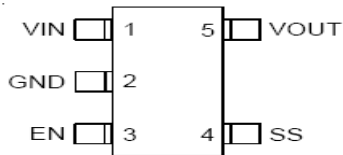
Note 2: $V_{IN(MIN)} = V_{OUT} + V_{DROPOUT}$

Note 3: To prevent the Short Circuit Current protection feature from being prematurely activated, the input and enable voltage must be applied before a current source load is applied.

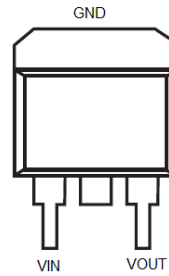
Note 4: The dropout voltage is defined as $(V_{IN} - V_{OUT})$ when V_{OUT} is 100mV below the target value of V_{OUT} .

Pin Configurations

(Top View)



(T)SOT-23-5 / SC-70-5

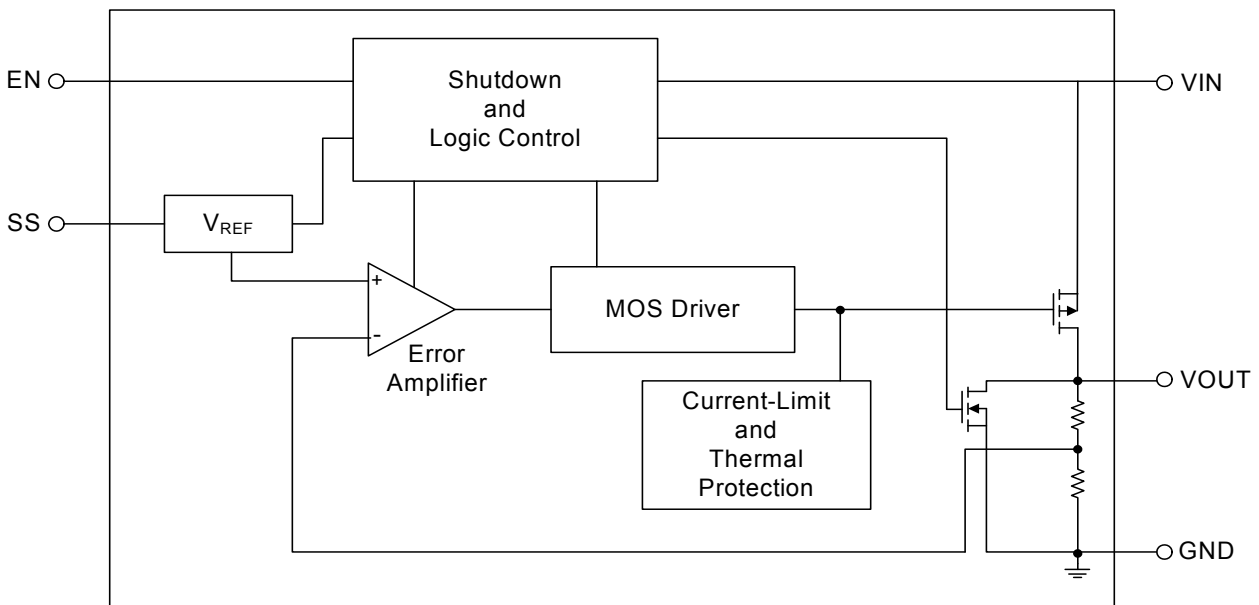


TO-252-2L

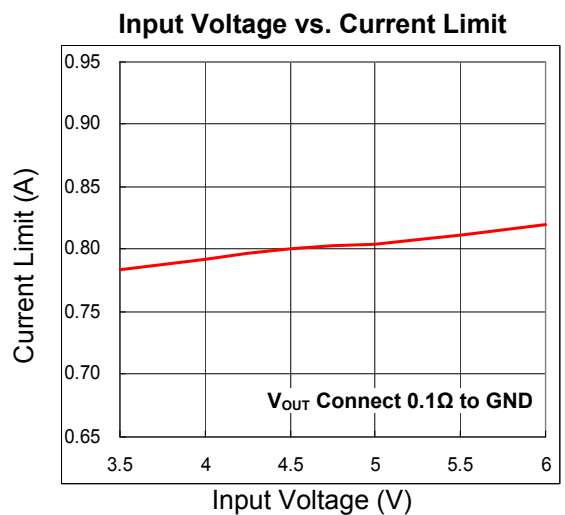
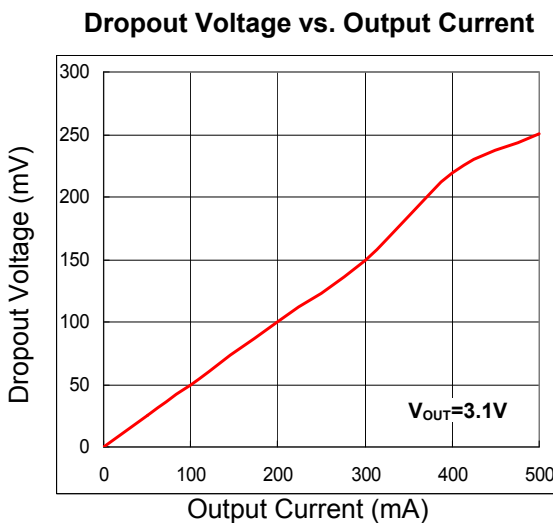
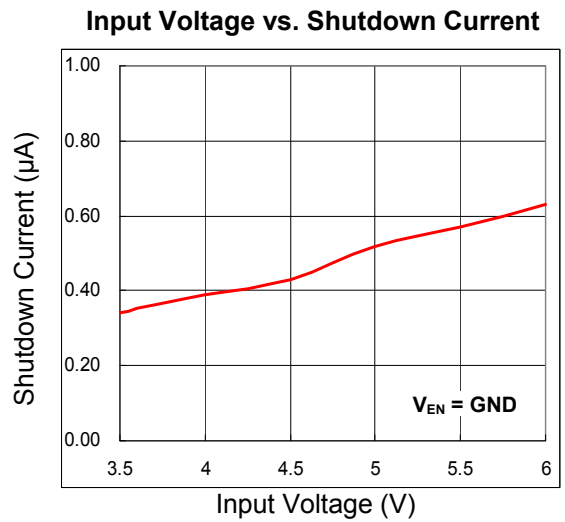
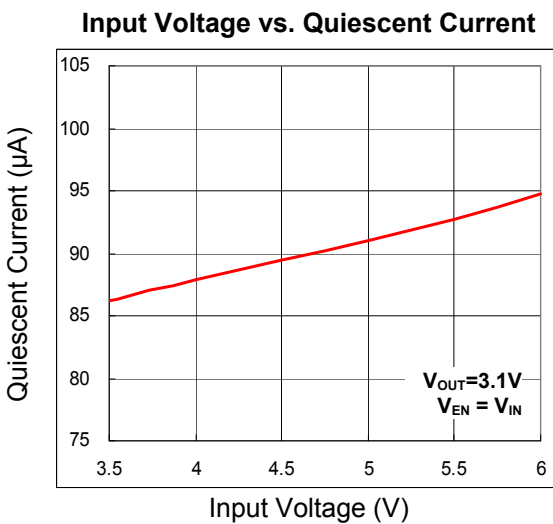
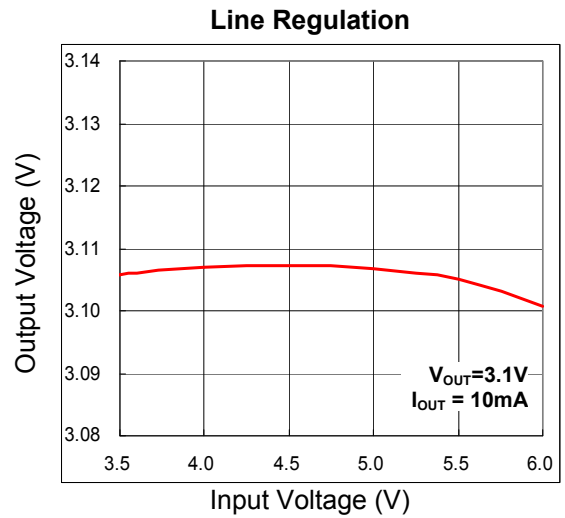
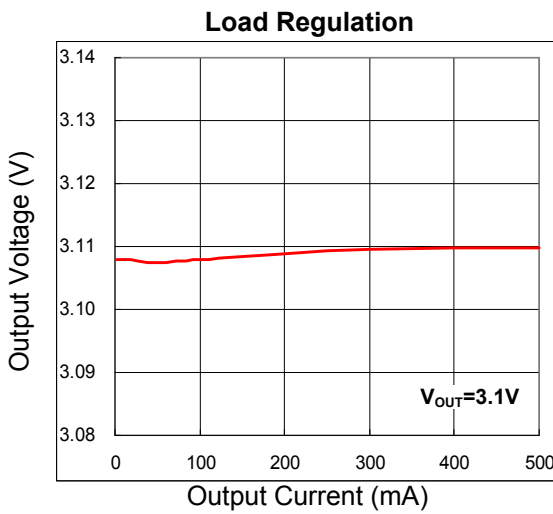
Pin Description

(T)SOT-23-5 SC-70-5	TO-252-2L	Name	Pin Function
1	1	VIN	Input Voltage.
2	FIN	GND	Ground.
3		EN	Chip Enable (Active High). Note that this pin is high impedance. There should be a pull low 100KΩ resistor connected to GND when the control signal is floating.
4		SS	Soft Start.
5	3	VOUT	Output Voltage.

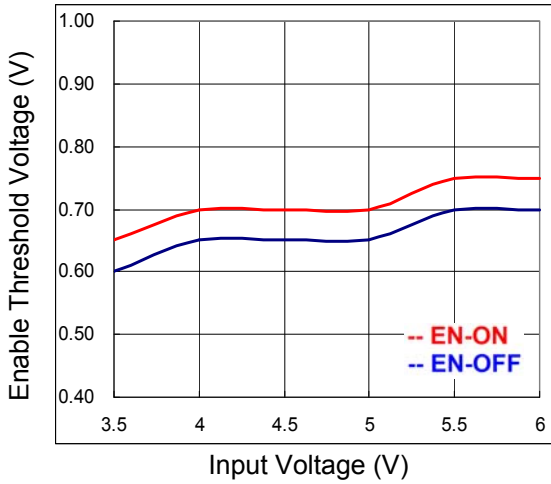
Function Block Diagram



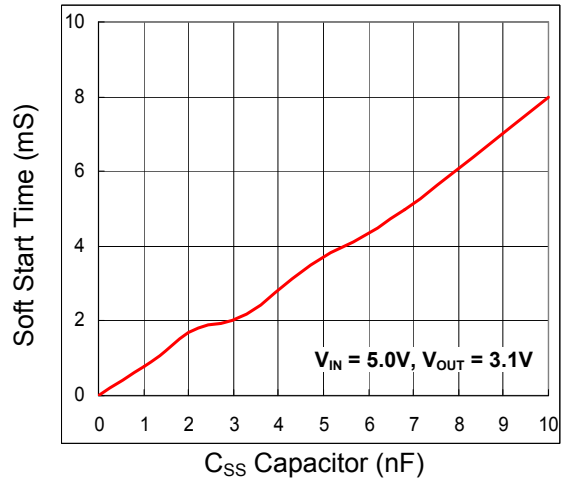
Typical Operating Characteristics (Unless otherwise specified, $V_{IN} = V_{OUT} + 1V$, $C_{IN} = C_{OUT} = 1\mu F$, $C_{SS} = 1nF$, $T_A = 25^\circ C$)



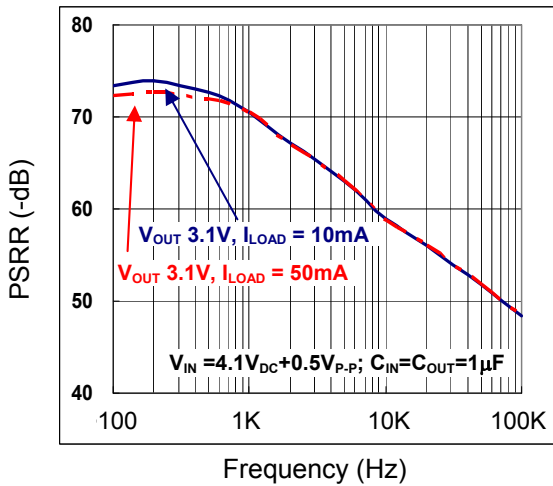
Enable Threshold Voltage vs. Temperature



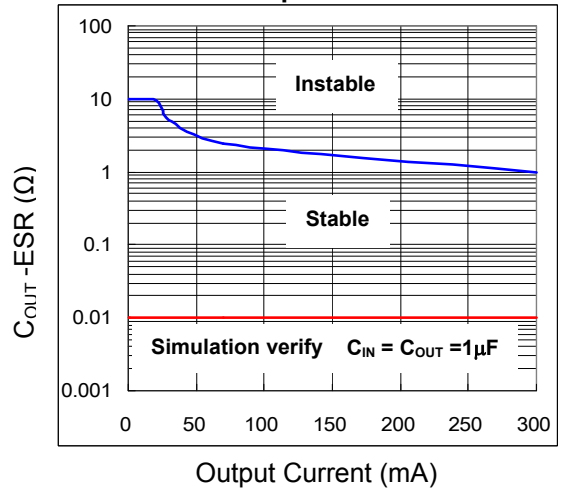
C_{SS} Capacitor vs. Soft Start Time



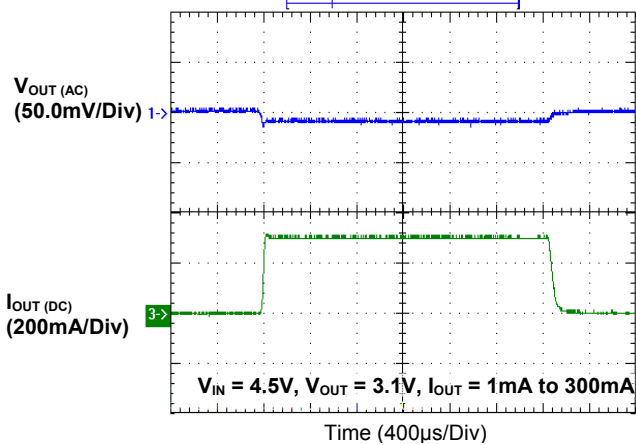
PSRR



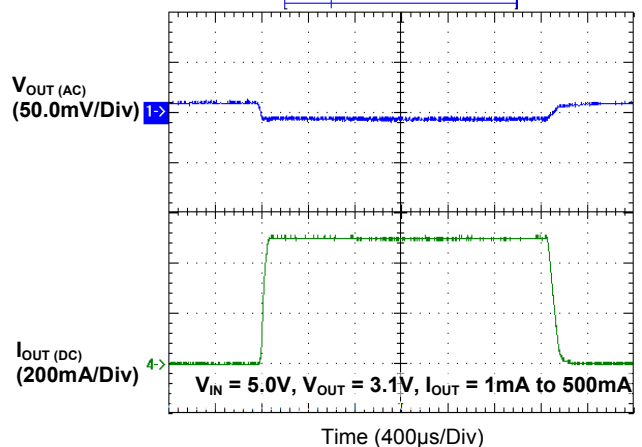
Region of Stable C_{OUT} ESR vs. Output Current

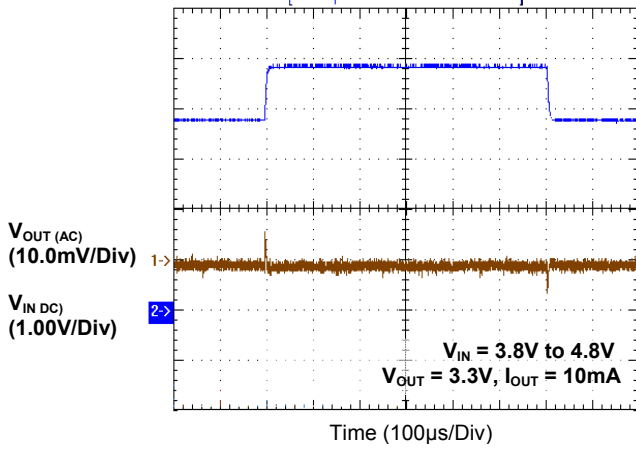
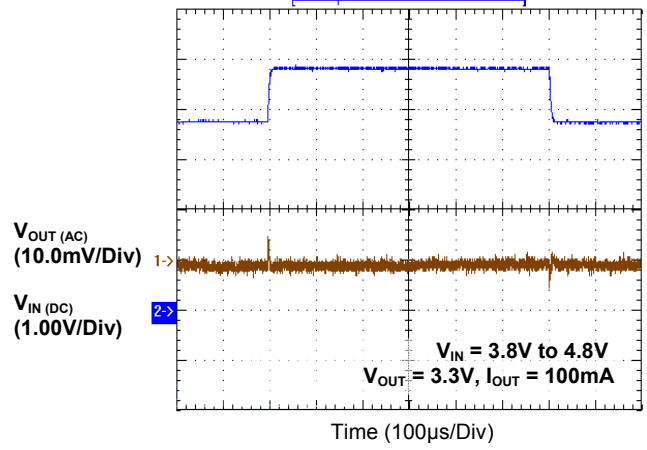
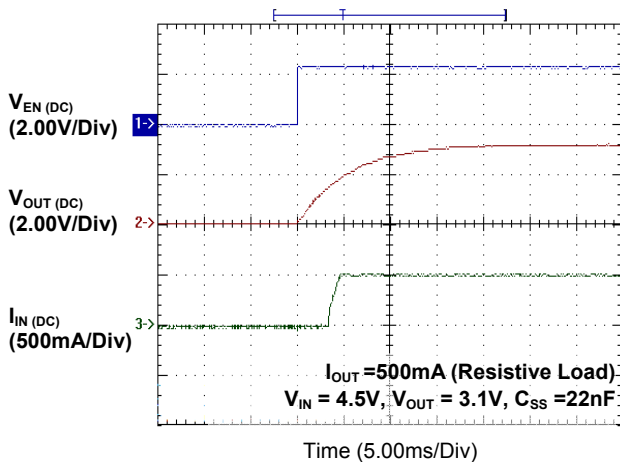
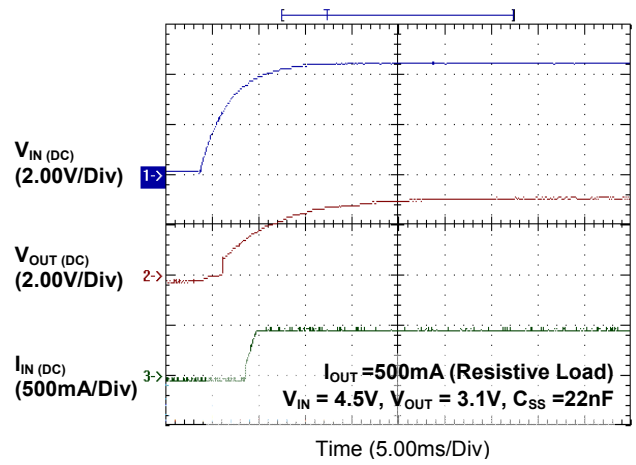
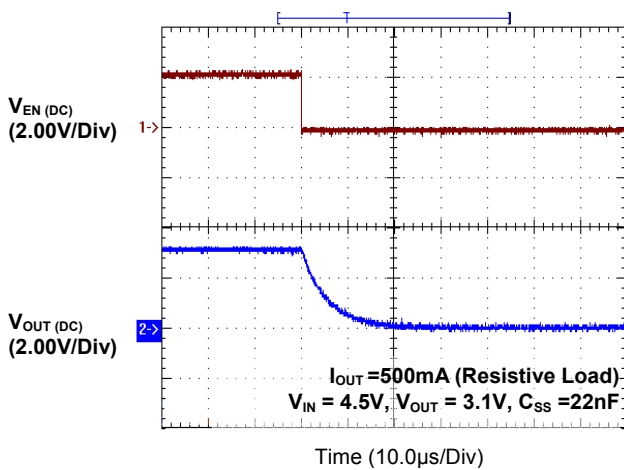
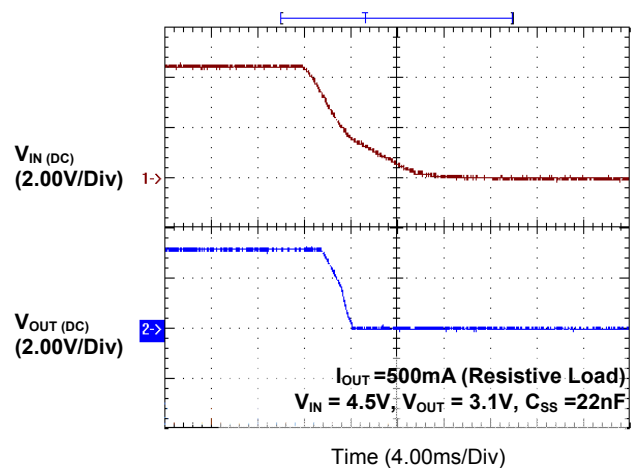


Load Transient Response

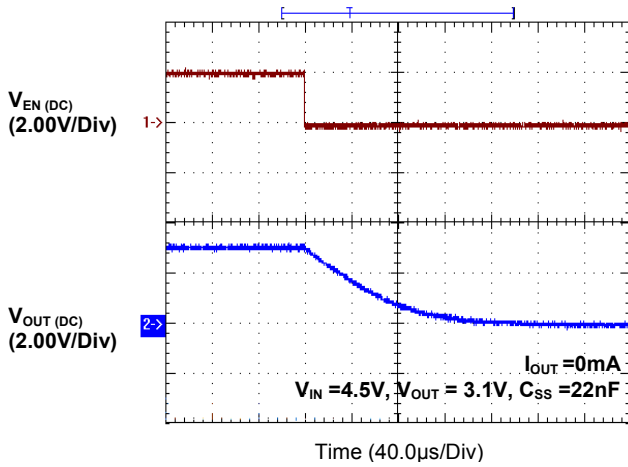


Load Transient Response

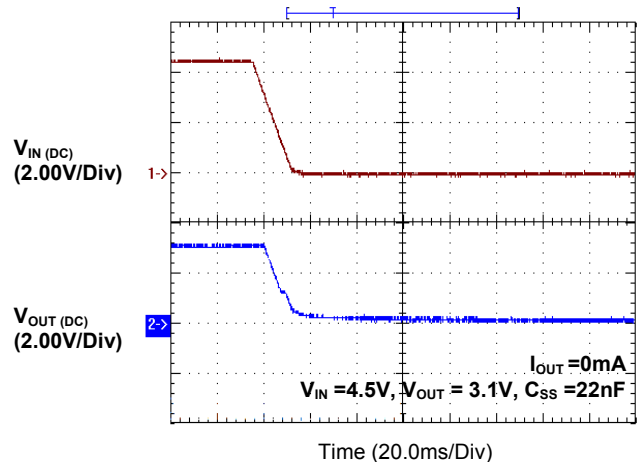


Line Transient Response

Line Transient Response

Start-up from EN

Start-up from VIN

Shutdown from EN

Shutdown from VIN


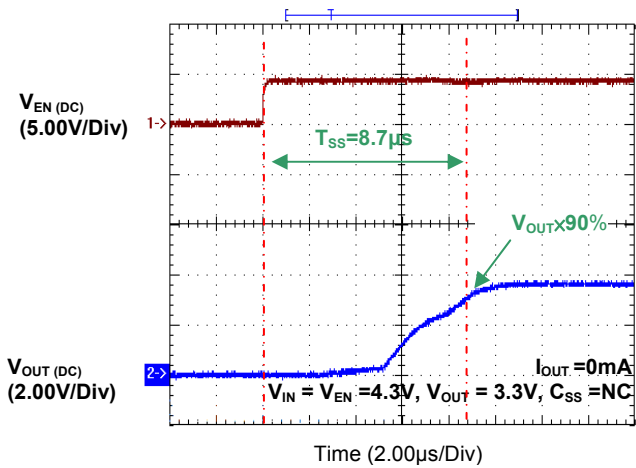
Shutdown from EN



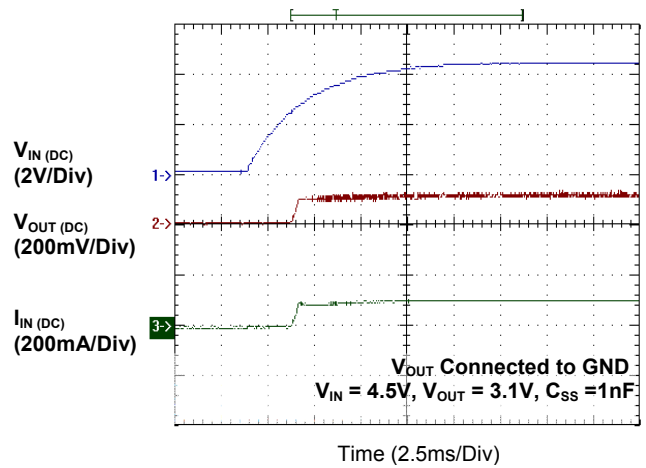
Shutdown from V_{IN}



Soft Start Time



Short Circuit Operation



Application Information

Capacitor Selection and Regulator

Stability

Input Capacitor

An input capacitance of 1 μ F is required between the device input pin and ground directly (the amount of the capacitance may be increased without limit). The input capacitor **MUST** be located less than 1 cm from the device to assure input stability (see PCB Layout Section). A lower ESR capacitor allows the use of less capacitance, while higher ESR type (like aluminum electrolytic) requires more capacitance. Capacitor types (aluminum, ceramic and tantalum) can be mixed in parallel, but the total equivalent input capacitance/ESR must be defined as above for stable operation. There are no requirements for the ESR on the input capacitor, but tolerance and temperature coefficient must be considered when selecting the capacitor to ensure the capacitance is 1 μ F over the entire operating range.

Output Capacitor

The iD9308 is designed specifically to work with very small ceramic output capacitors. The minimum capacitance recommended (temperature characteristics of X7R, X5R, Z5U or Y5V) is within the 1 μ F to 10 μ F range with 5m Ω to 50m Ω ESR range ceramic capacitor between LDO output and GND for transient stability, but it may be increased without limit. Higher capacitance values help to improve transient response. The output capacitor's ESR is critical because it forms a zero to provide phase lead which is required for loop stability.

Enable Function

The iD9308 is shut down by pulling the EN pin low, and turned on by driving the input high. If the shutdown feature is not required, the EN pin should be tied to VIN to keep the regulator on at all times (the EN pin **MUST NOT** be left floating).

To assure proper operation, the signal source used to drive the EN pin must be able to swing above and below the specified turn-on/off voltage thresholds listed in the "Electrical Characteristics" under V_{IH} and V_{IL}. The ON/OFF signal may come from either CMOS output, or an open-collector output with pull-up resistor to the device input voltage or another logic supply. The high-level voltage may exceed the device input voltage, but must remain within the absolute maximum ratings for the EN pin.

Operating Region and Power Dissipation

Since the iD9308 is a linear regulator, its power dissipation is always given by $P = I_{OUT} (V_{IN} - V_{OUT})$. The maximum power dissipation is given by: $P_{D(MAX)} = (T_J - T_A) / \theta_{JA} = (125^\circ\text{C} - 25^\circ\text{C}) / 250^\circ\text{C}/\text{W} = 400\text{mW}$ Where $(T_J - T_A)$ is the temperature difference the iD9308 die and the ambient air, θ_{JA} is the thermal resistance of the chosen package to the ambient air. For surface mount device, heat sinking is accomplished by using the heat spreading capabilities of the PC board and its copper traces. In the case of a SOT-23-5 package, the thermal resistance is typically 250 $^\circ\text{C}$ /Watt. Refer to Figure 1 & 2 for the iD9308 valid operating region (Safe Operating Area) and refer to Figure 3 for maximum power dissipation information of SOT-23-5.

The die attachment area of the iD9308 lead frame is connected to pin 2, which is the GND pin. Therefore, the GND pin of iD9308 can dissipate the heat from the die very effectively. To improve the maximum power providing capability, connect the GND pin to ground using a large ground plane near the GND pin.

Short Circuit Current Fold-Back

This feature becomes active when the output drops below 200mV, and reduces the current flow by 80%. Full current is restored when the voltage exceeds 200mV.

Safe Operation Area of $I_{OUT}=150\text{mA}$

[Power Dissipation Limit]

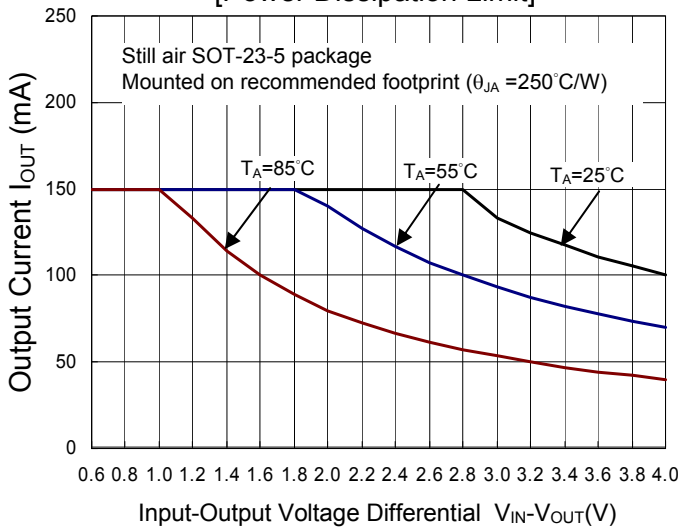


Fig. 1

Safe Operation Area of $I_{OUT}=300\text{mA}$

[Power Dissipation Limit]

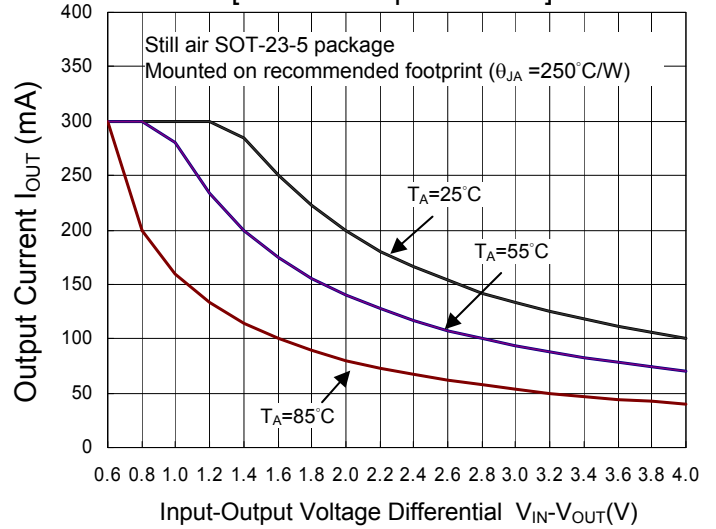


Fig. 2

Maximum Power Dissipation

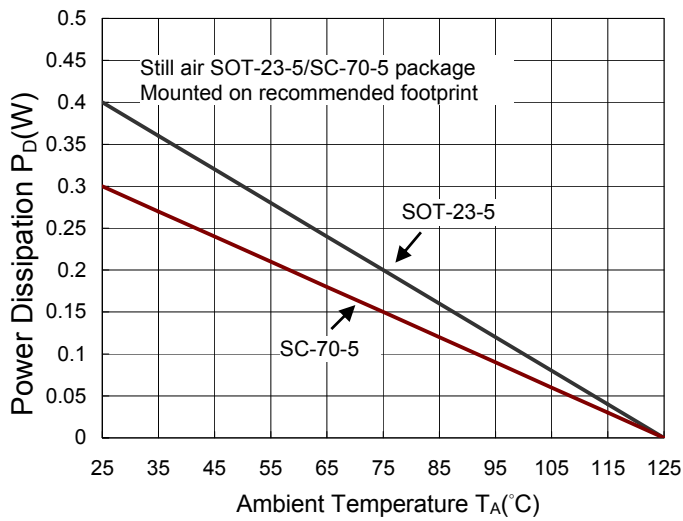
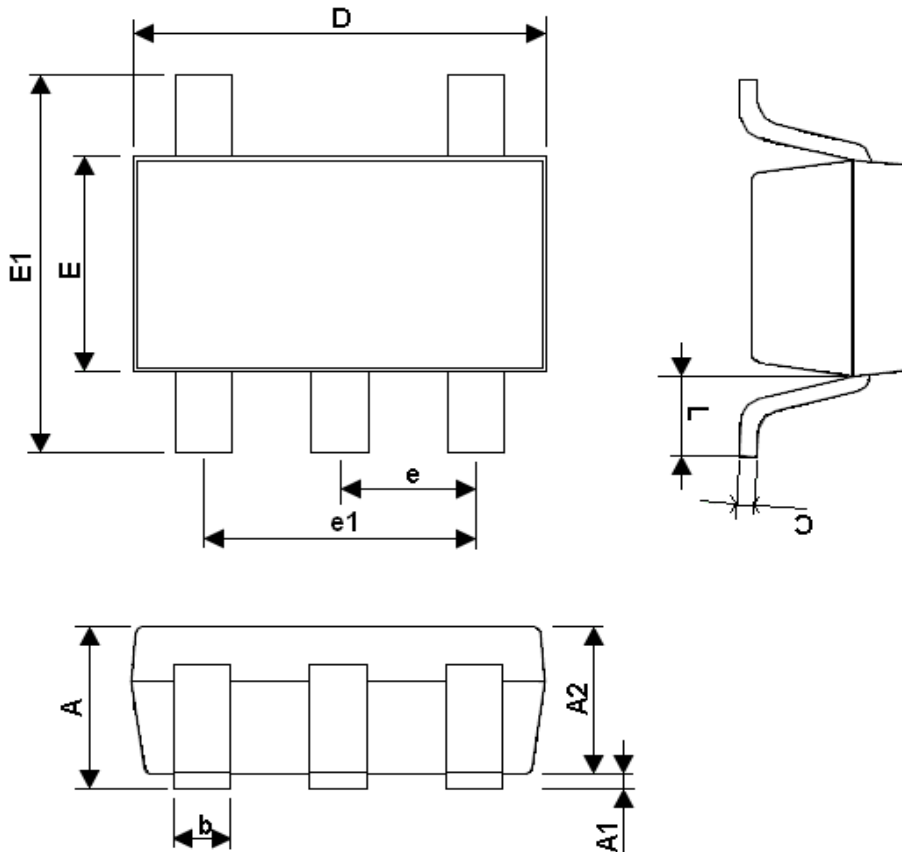


Fig. 3

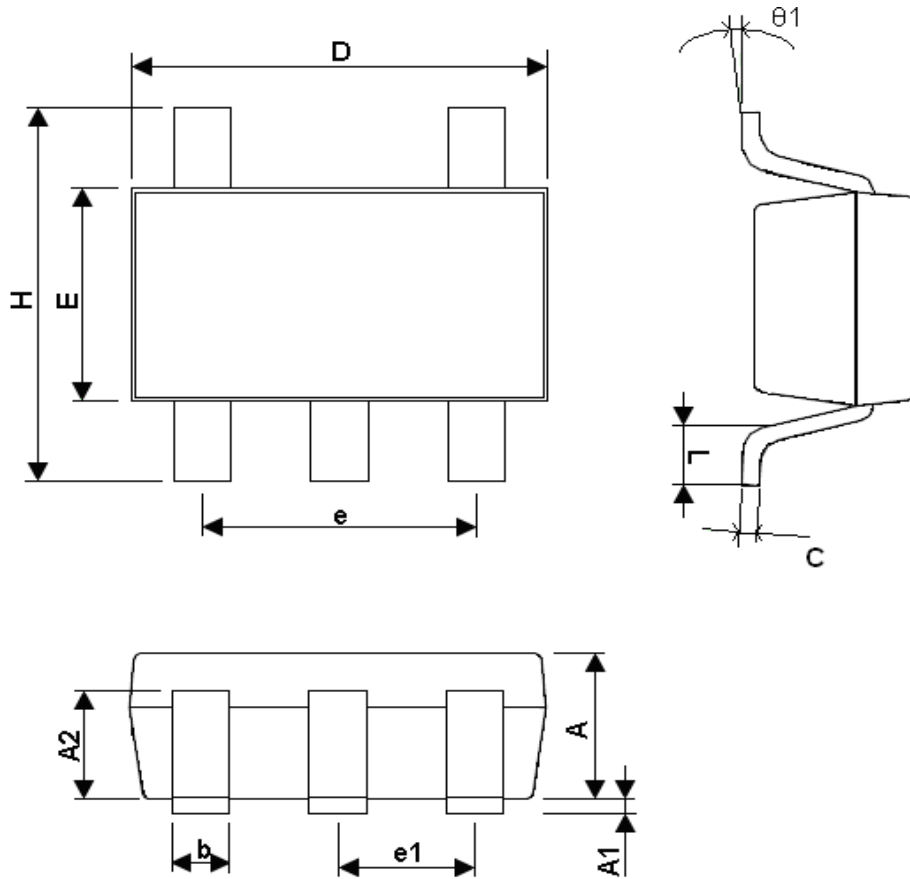
Packaging

SC-70-5



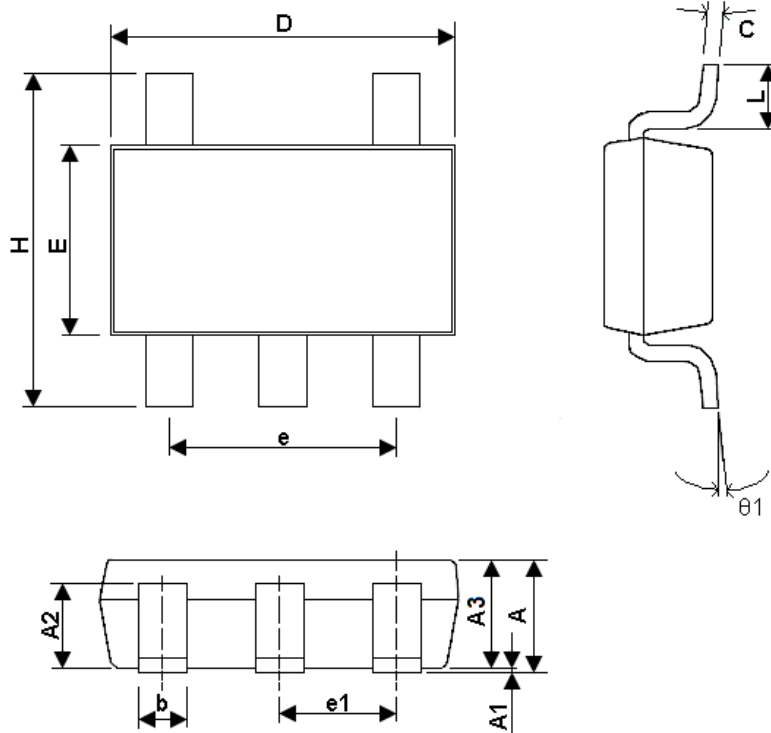
SYMBOLS	DIMENSIONS IN MILLIMETERS			DIMENSIONS IN INCH		
	MIN	NOM	MAX	MIN	NOM	MAX
A	0.90	---	1.10	0.036	---	0.044
A1	0.025	---	0.10	0.001	---	0.004
A2	0.875	---	1.00	0.035	---	0.040
b	0.20	---	0.40	0.008	---	0.016
C	0.10	---	0.15	0.004	---	0.006
D	1.90	---	2.10	0.076	---	0.084
E	1.15	---	1.35	0.046	---	0.054
E1	2.00	---	2.20	0.080	---	0.088
e	0.65 BSC.			0.026 BSC.		
e1	1.30 BSC.			0.052 BSC.		
L	0.425 REF.			0.017 REF.		

SOT-23-5



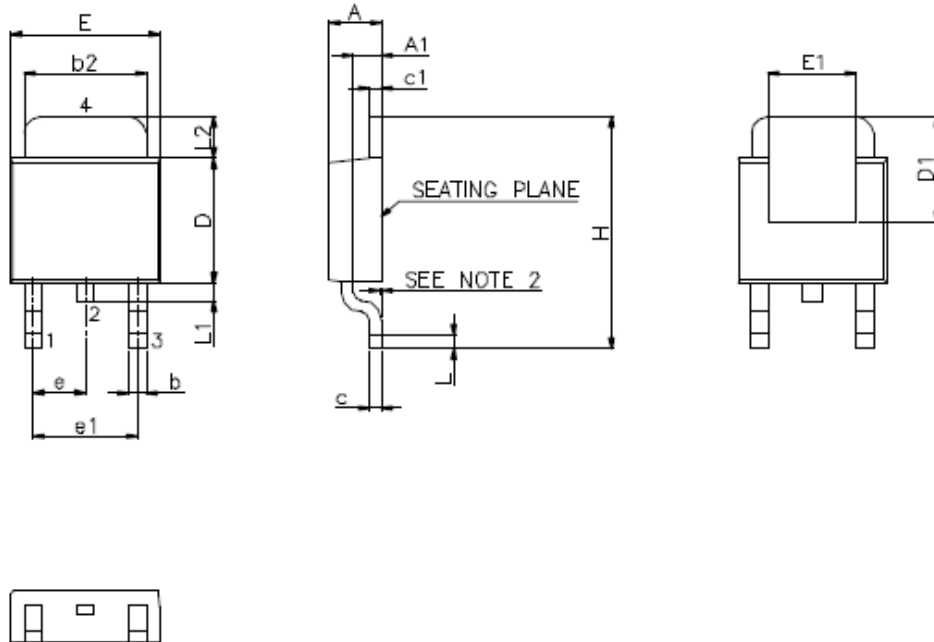
SYMBOLS	DIMENSIONS IN MILLIMETERS			DIMENSIONS IN INCH		
	MIN	NOM	MAX	MIN	NOM	MAX
A	1.00	1.10	1.30	0.039	0.043	0.051
A1	0.00	---	0.10	0.000	---	0.004
A2	0.70	0.80	0.90	0.027	0.031	0.035
b	0.35	0.40	0.50	0.013	0.016	0.020
C	0.10	0.15	0.25	0.004	0.006	0.001
D	2.70	2.90	3.10	0.106	0.114	0.122
E	1.50	1.60	1.80	0.059	0.063	0.071
e	---	1.90(TYP)	---	---	0.075	---
H	2.60	2.80	3.00	0.102	0.110	0.118
L	0.370	---	---	0.015	---	---
$\theta1$	1°	5°	9°	1°	5°	9°
e1	---	0.95(TYP)	---	---	0.037	---

TSOT-23-5



SYMBOLS	DIMENSIONS IN MILLIMETERS			DIMENSIONS IN INCH		
	MIN	NOM	MAX	MIN	NOM	MAX
A	0.75	---	0.90	0.030	---	0.035
A1	0.00	---	0.10	0.000	---	0.004
A2	0.58	0.68	0.78	0.023	0.027	0.030
A3	0.84	0.87	0.90	0.033	0.034	0.035
b	0.35	0.40	0.50	0.014	0.016	0.020
C	0.10	0.125	0.15	0.004	0.005	0.006
D	2.70	2.90	3.10	0.106	0.114	0.122
E	1.50	1.60	1.80	0.059	0.063	0.071
e	---	1.90(TYP)	---	---	0.075(TYP)	---
H	2.60	2.80	3.00	0.102	0.110	0.118
L	0.370	---	---	0.015	---	---
$\Theta 1$	1°	5°	9°	1°	5°	9°
e1	---	0.95(TYP)	---	---	0.037	---

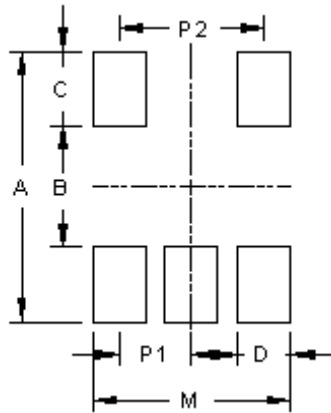
TO-252-2L



SYMBOLS	DIMENSIONS IN MILLIMETERS			DIMENSIONS IN INCH		
	MIN	NOM	MAX	MIN	NOM	MAX
A	2.18	---	2.39	0.086	---	0.094
A1	1.02	---	1.27	0.040	---	0.050
b	---	0.61	---	---	0.024	---
b2	5.21	---	5.46	0.205	---	0.215
c	0.46	---	0.58	0.018	---	0.023
c1	0.46	---	0.58	0.018	---	0.023
D	5.33	---	5.59	0.210	---	0.220
E	6.35	---	6.73	0.250	---	0.265
D1	4.57	---	---	0.180	---	---
E1	3.81	---	---	0.150	---	---
e	---	2.29	---	---	0.090	---
e1	---	4.57	---	---	0.180	---
H	9.40	---	10.44	0.370	---	0.411
L	0.51	---	0.00	0.020	---	
L1	0.64	---	1.02	0.025	---	0.040
L2	1.52	---	2.03	0.060	---	0.080

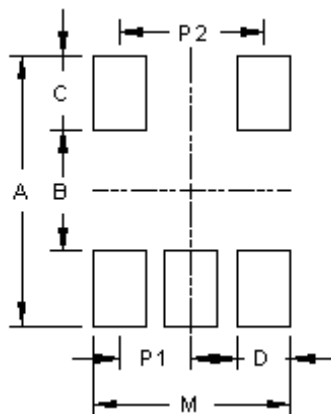
Footprints

(T)SOT-23-5



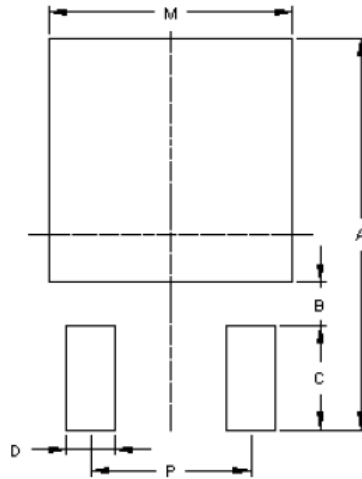
Package	Number of PIN	Footprint Dimension (mm)							Tolerance
		P1	P2	A	B	C	D	M	
SOT23-5	5	0.95	1.90	3.60	1.60	1.00	0.70	2.60	±0.10

SC-70-5



Package	Number of PIN	Footprint Dimension (mm)							Tolerance
		P1	P2	A	B	C	D	M	
SC70-5	5	0.65	1.30	2.70	1.10	0.80	0.40	1.70	±0.10

TO-252-2L



Package	Number of PIN	Footprint Dimension (mm)						Tolerance
		P	A	B	C	D	M	
TO-252-2L	2	4.60	11.50	2.00	2.50	1.50	7.00	± 0.10